

150ml Cylindrical Jar



General info

Item no. (SKU):	LS1162115105
Family / Range:	Cylindrical Jars
Capacity:	150ml
Neck:	70/400
Weight:	16
Shape:	Round
Material:	PET
Colour:	All Colours Available
Print Areas:	N/A
Country of Origin:	Lithuania

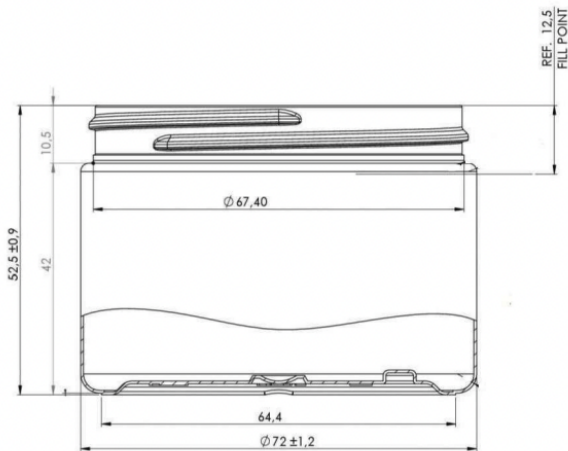
Packaging Info

Packed in Boxes

Box Dimensions (mm):	594 x 394 x 448
Quantity per box (pcs):	360
Boxes per pallet (pcs):	20
Quantity per pallet (pcs):	7200
Net weight (kg):	115
Gross weight (kg):	142
Pallet height (mm):	2400

Packed in PE bags on trays (Full pallet)

Tray dimensions (mm):	1200 x 800 x 50
Quantity per tray (pcs):	380
Quantity per PE bag (pcs):	190
PE bags per tray (pcs):	2
Trays per pallet (pcs):	22
Quantity per pallet (pcs):	8360
Net weight (kg):	134
Gross weight (kg):	157
Pallet height (mm):	2400



Food contact statement

We hereby confirm that this product complies with the requirements of the European legislation (EU) no 10/2011 and all its amendments for plastics used in contact with food

Storage

Please be aware that these products are handled and stored correctly in order to ensure the safety and quality of our products. When storing this product, please avoid excessive force and storage above 40 degrees Celsius (86 degrees Fahrenheit)